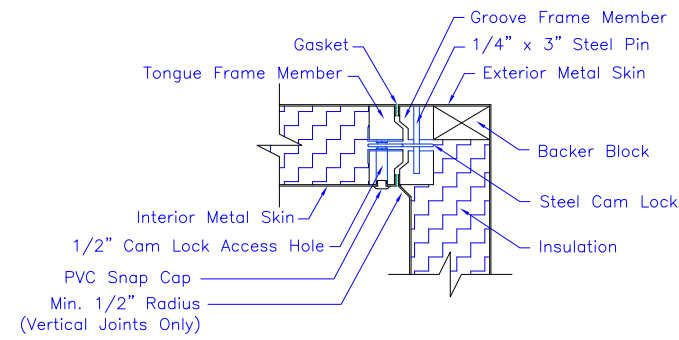


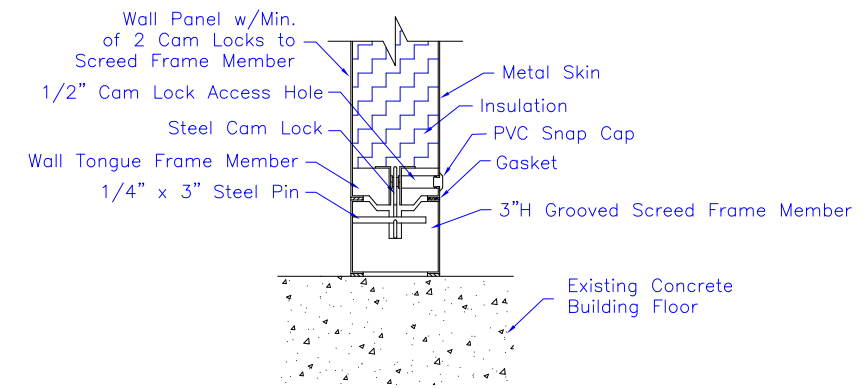
"CAM-LOCK" PANEL to PANEL CONNECTION

Plan View



"CAM-LOCK" PANEL CORNER CONNECTION

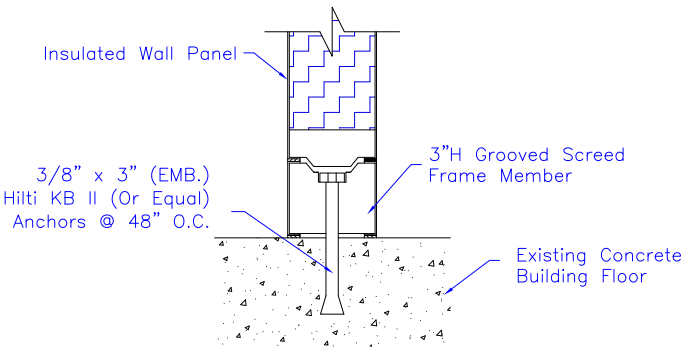
Plan View



WALL to SCREED CONNECTION

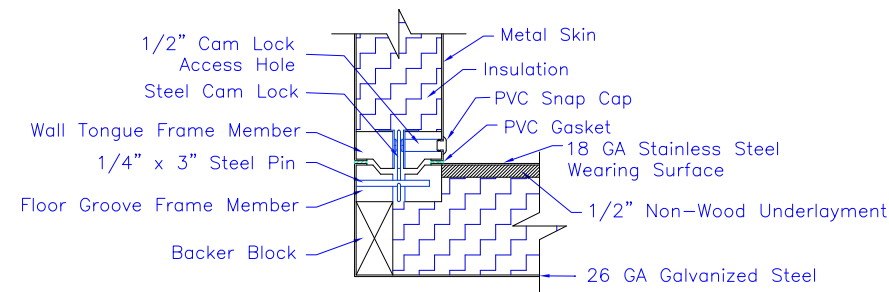
Side View

**CONTACT FACTORY FOR
ADDITIONAL DETAILS**



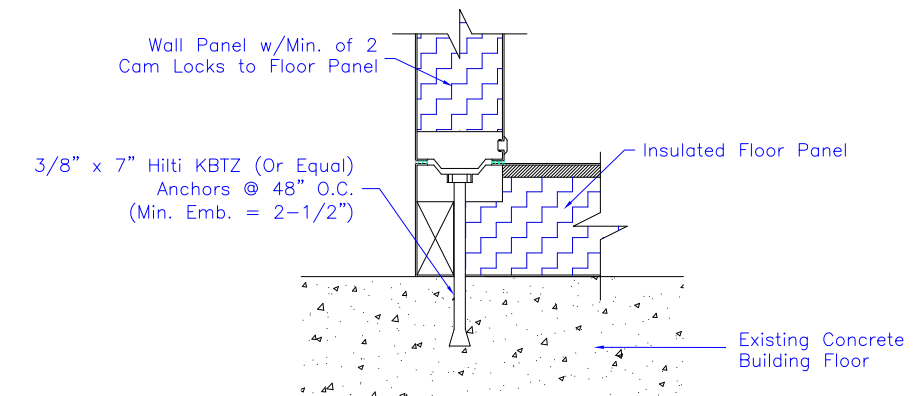
COLD ROOM SCREED to BUILDING FLOOR CONNECTION

Side View



FLOOR PANEL to WALL PANEL CONNECTION

Side View



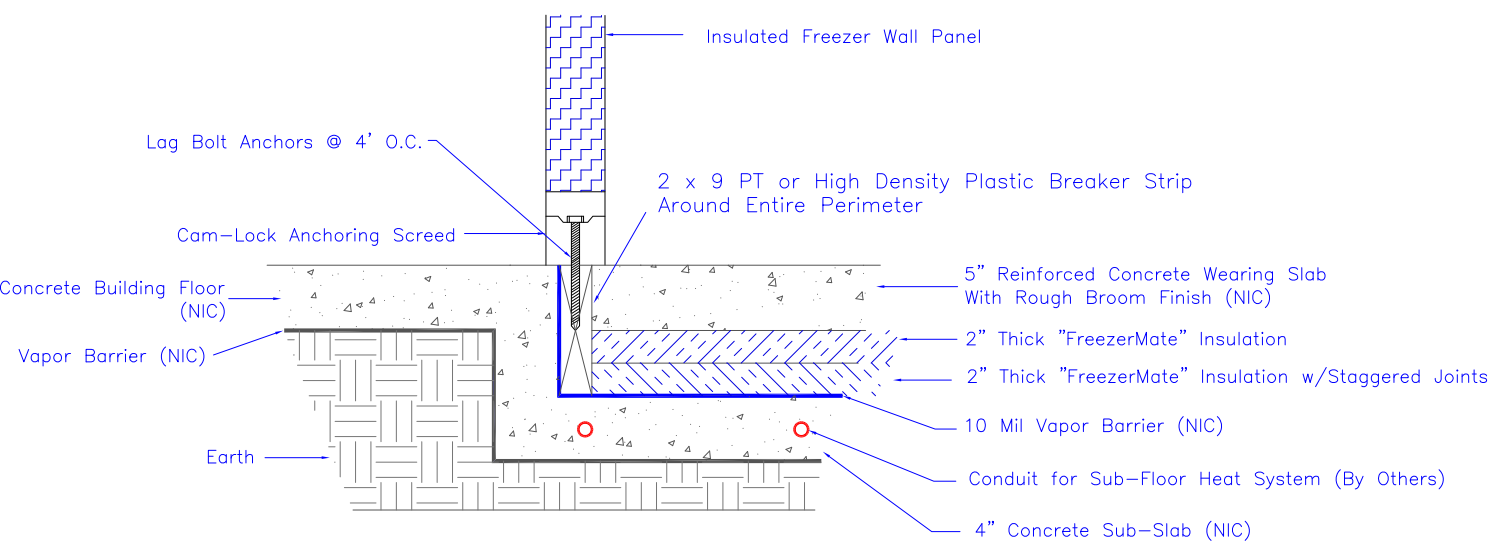
FLOOR PANEL to BUILDING FLOOR CONNECTION

Side View

COLD ROOM SOLUTIONS
 1040 Serpentine Ln., Ste. 207, Pleasanton, CA 94566
 (925) 462-2500 FAX (925) 462-2502
 www.coldroomsolutions.com

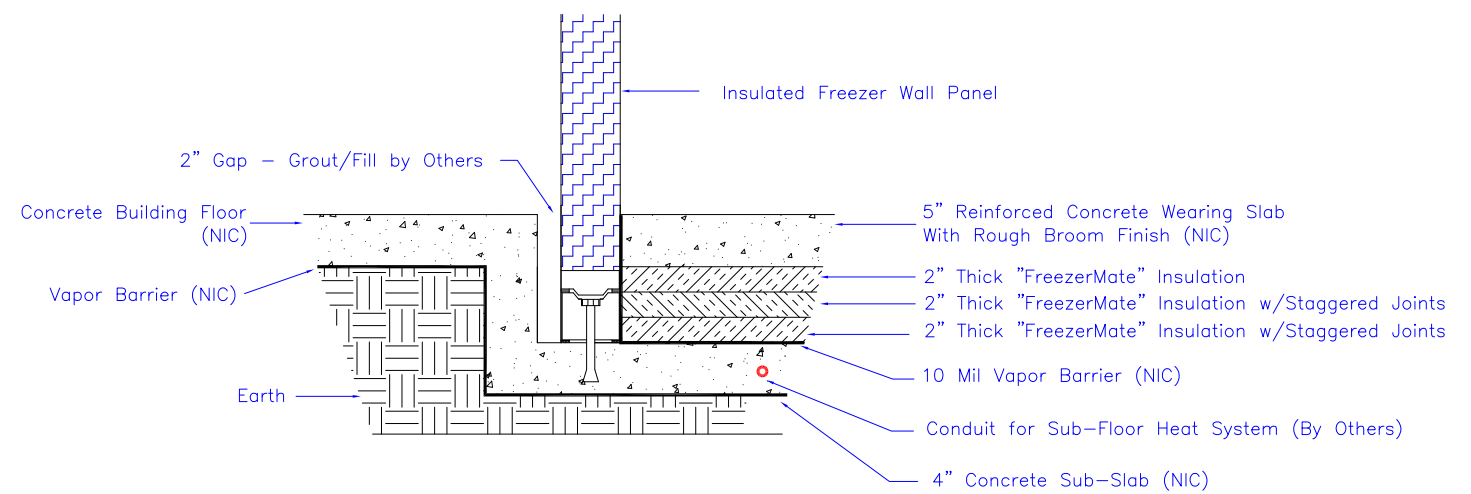
TYPICAL DETAILS

SCALE: None	
Job No.:	Dwg. By:
Date:	Dwg. No.:



FREEZER SCREED TO BUILDING FLOOR CONNECTION

Side View



FREEZER SCREED TO BUILDING FLOOR CONNECTION

Side View