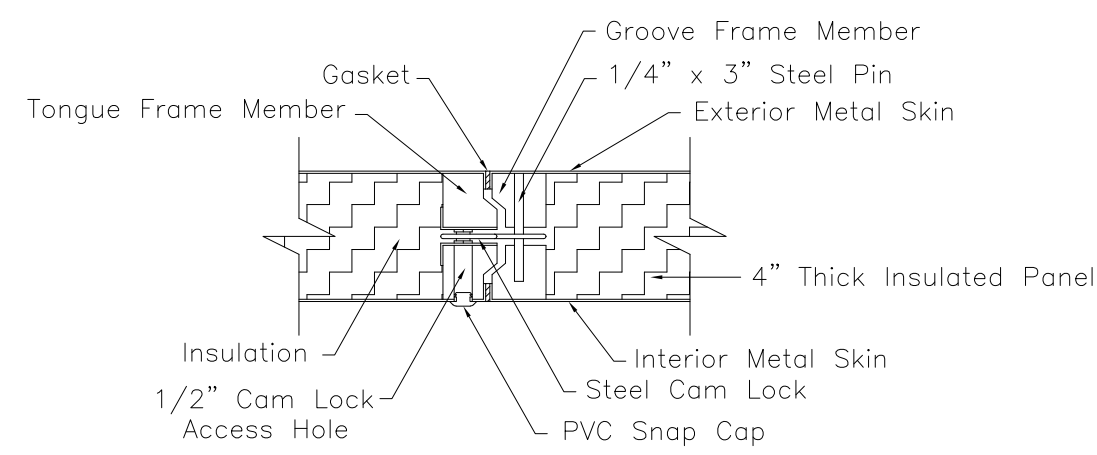
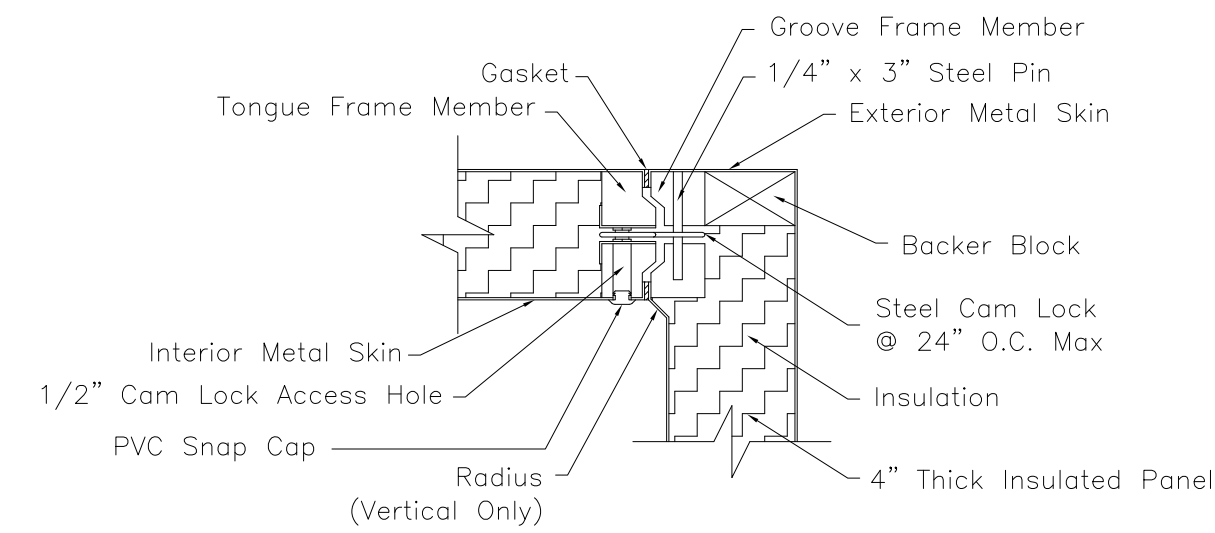


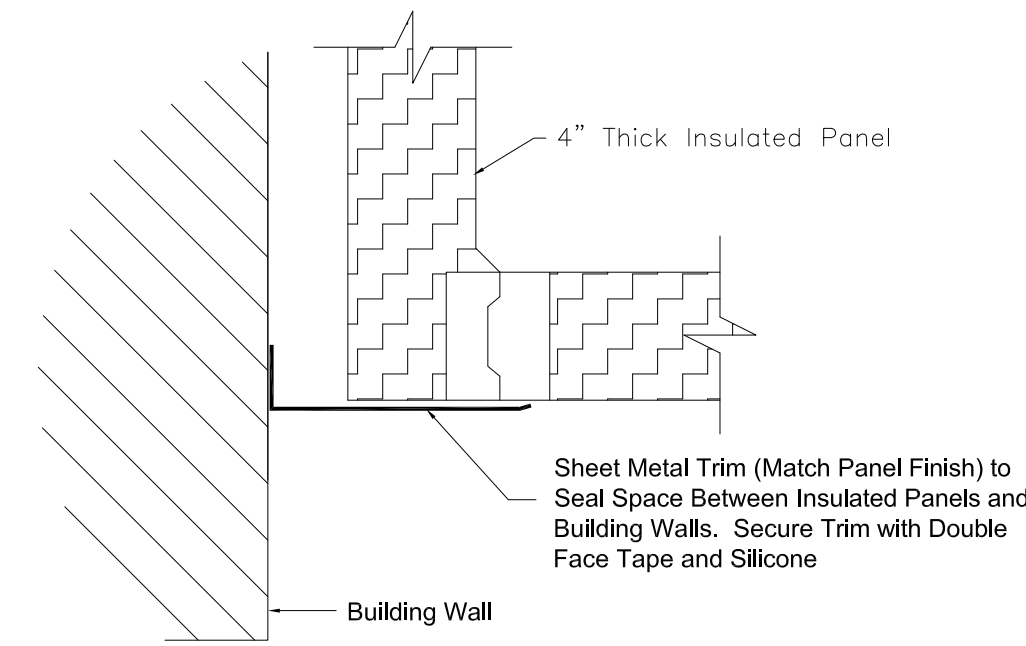
**CONTACT FACTORY FOR
ADDITIONAL DETAILS**



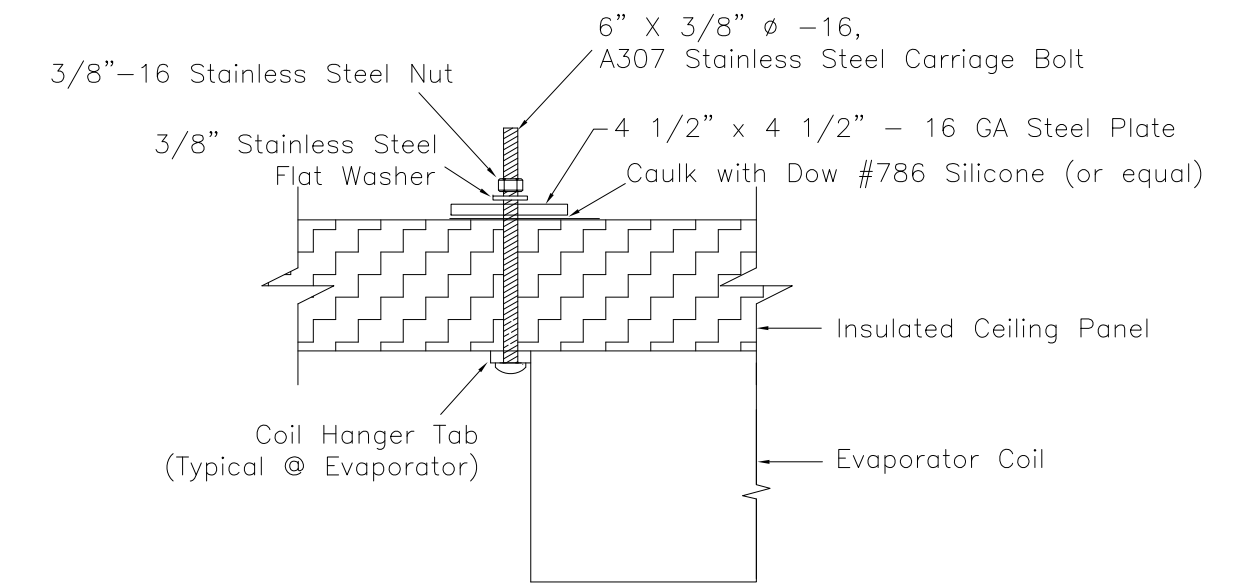
**TYPICAL PANEL JOINT
PLAN VIEW**
No Scale



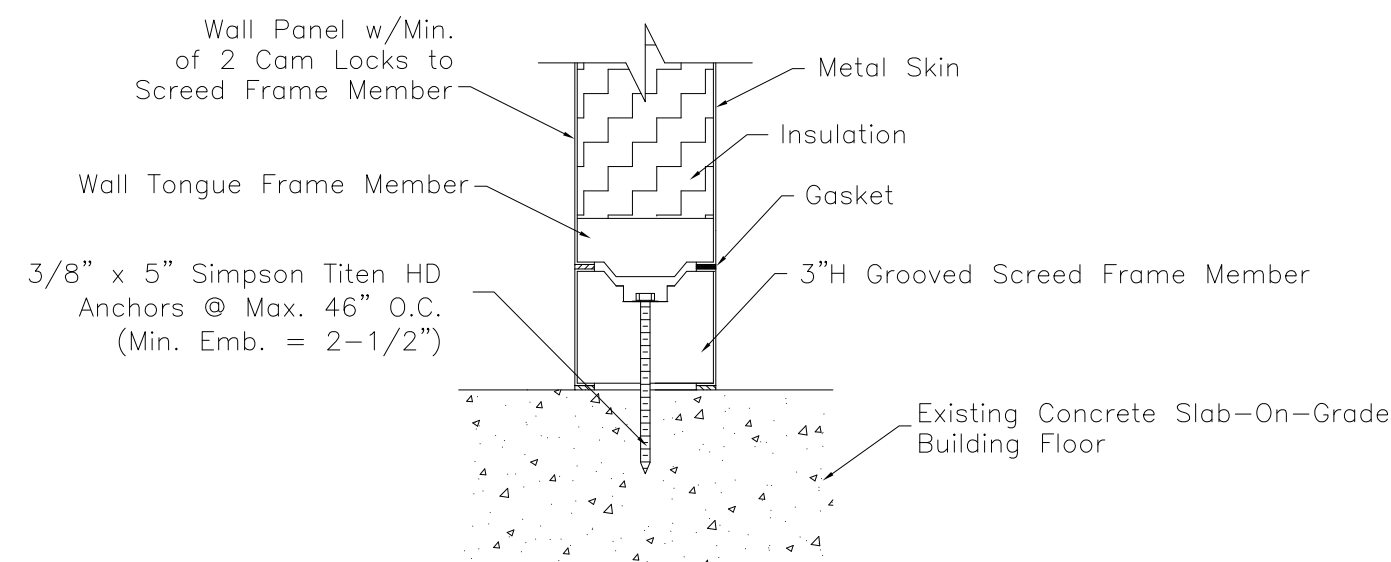
**TYPICAL CORNER JOINT
PLAN VIEW**
No Scale



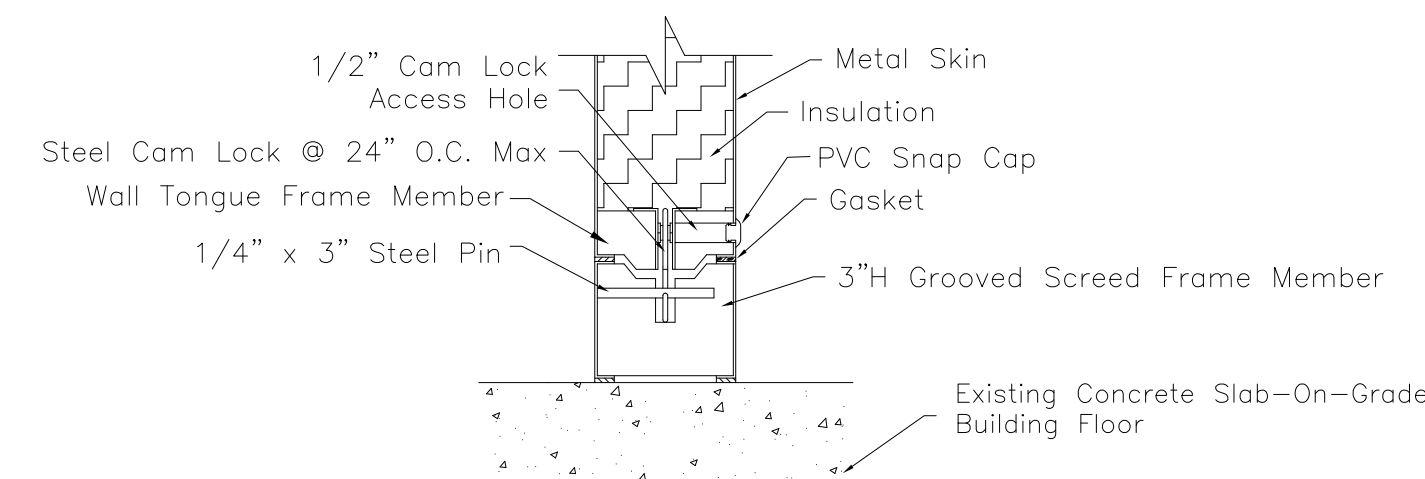
**SHEET METAL
CLOSURE TRIM DETAIL**
No Scale



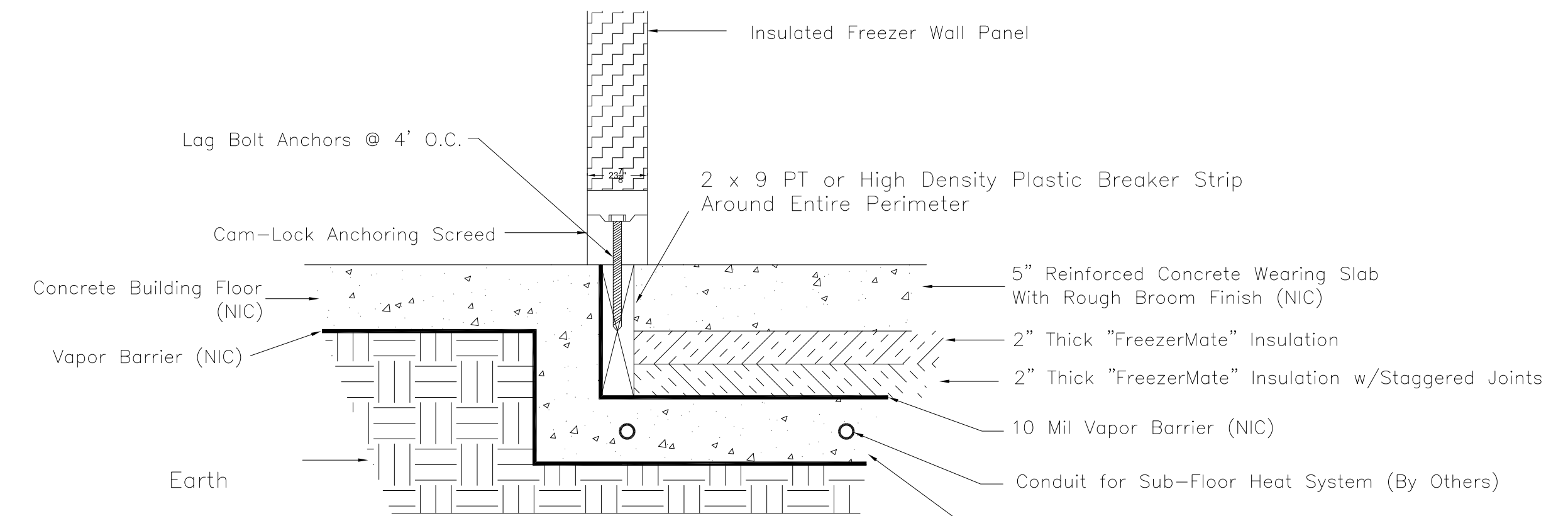
**TYPICAL EVAPORATOR COIL
SUPPORT DETAIL**
No Scale



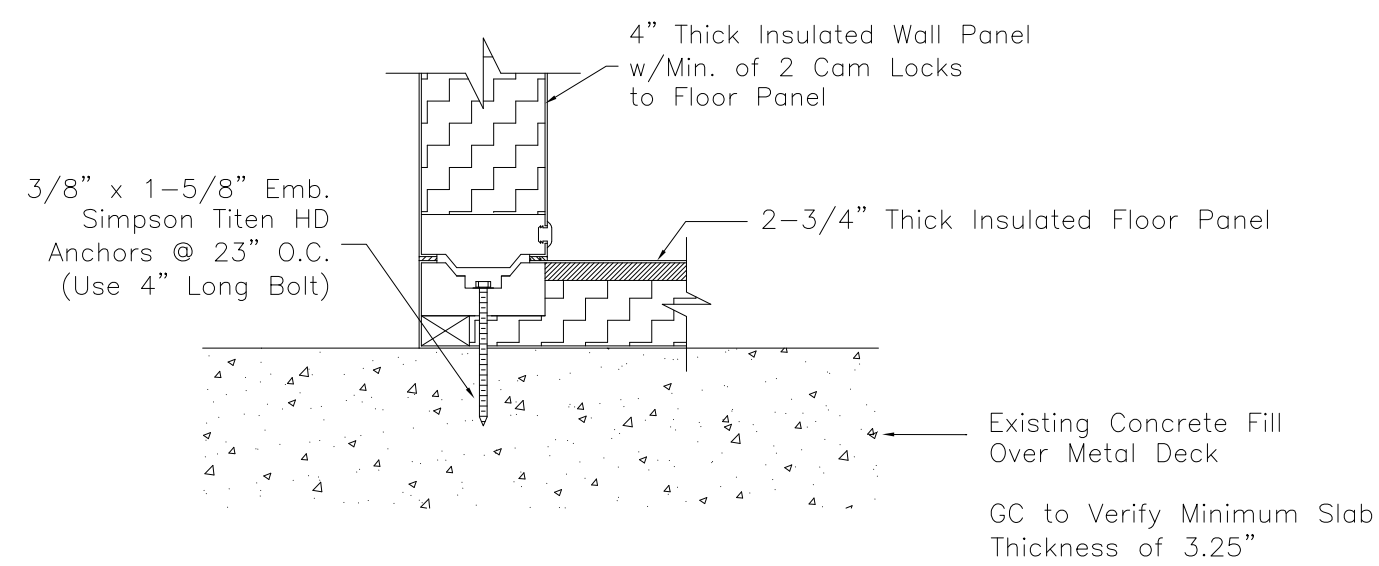
**COLD ROOM CAM-LOCK SCREED to
BUILDING FLOOR ANCHOR DETAIL**
No Scale



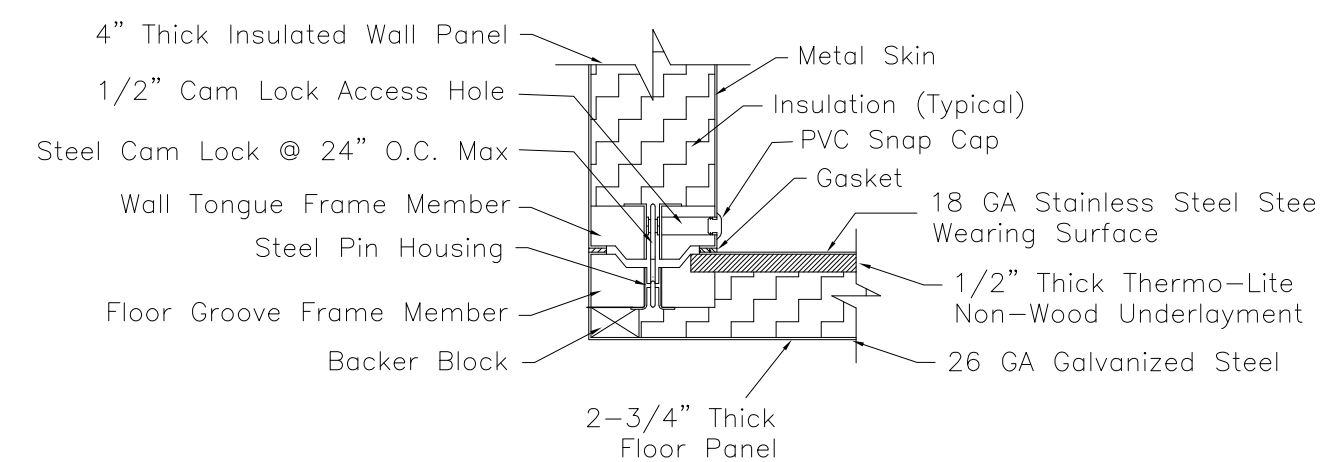
**COLD ROOM WALL PANEL to
CAM-LOCK SCREED DETAIL**
No Scale



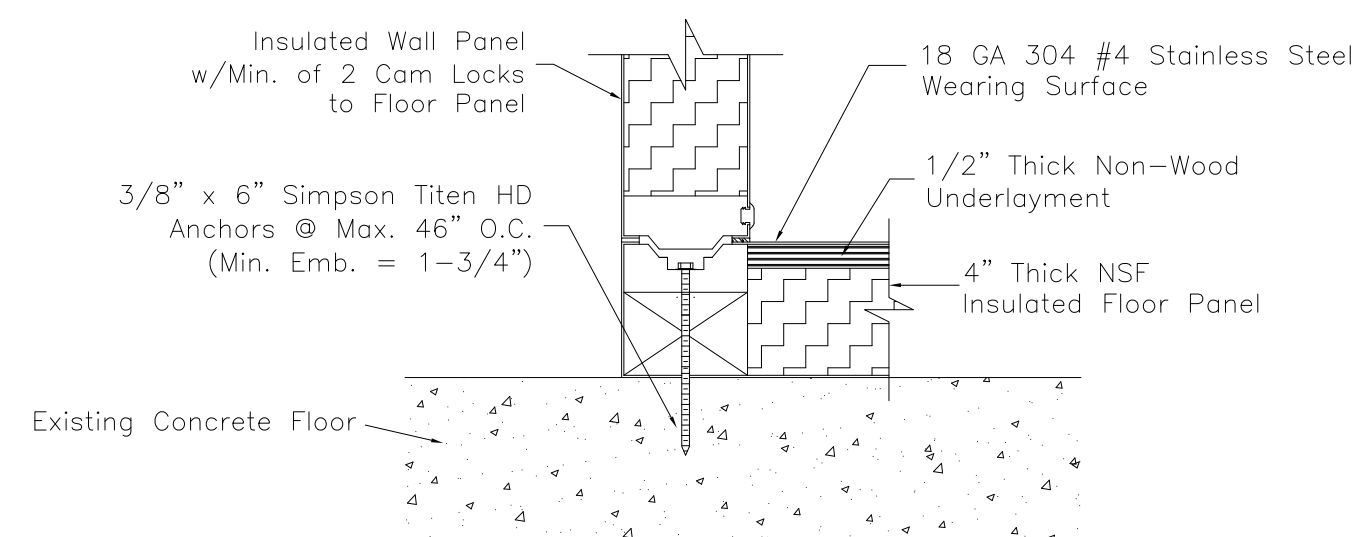
**RECESSED FLOOR
DETAIL 1**
No Scale



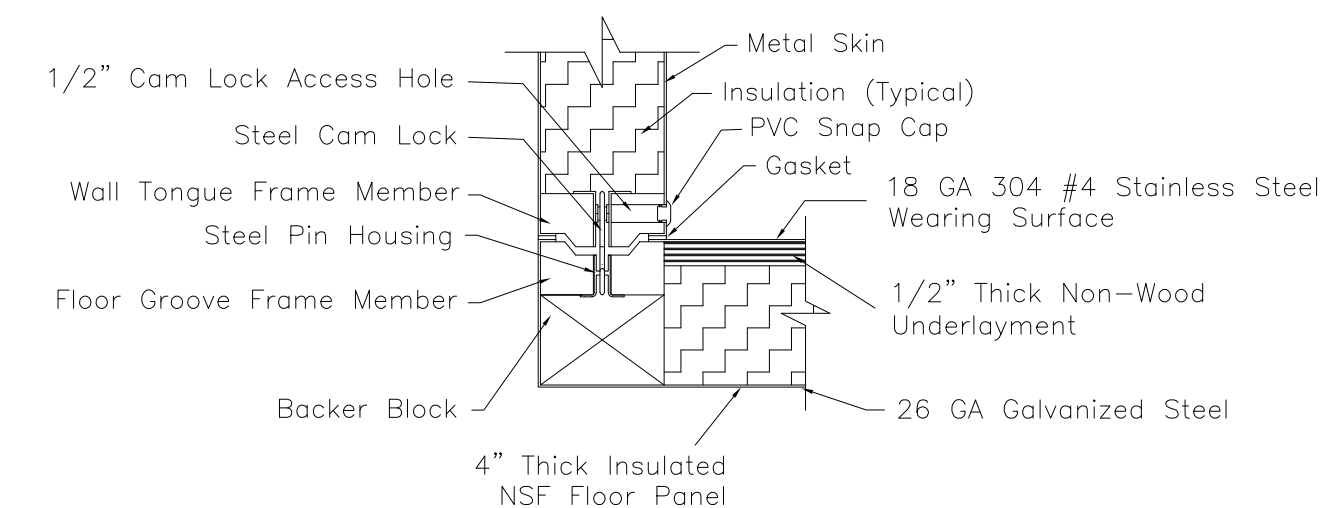
**COLD ROOM FLOOR PANEL to
BUILDING FLOOR ANCHOR DETAIL**
No Scale



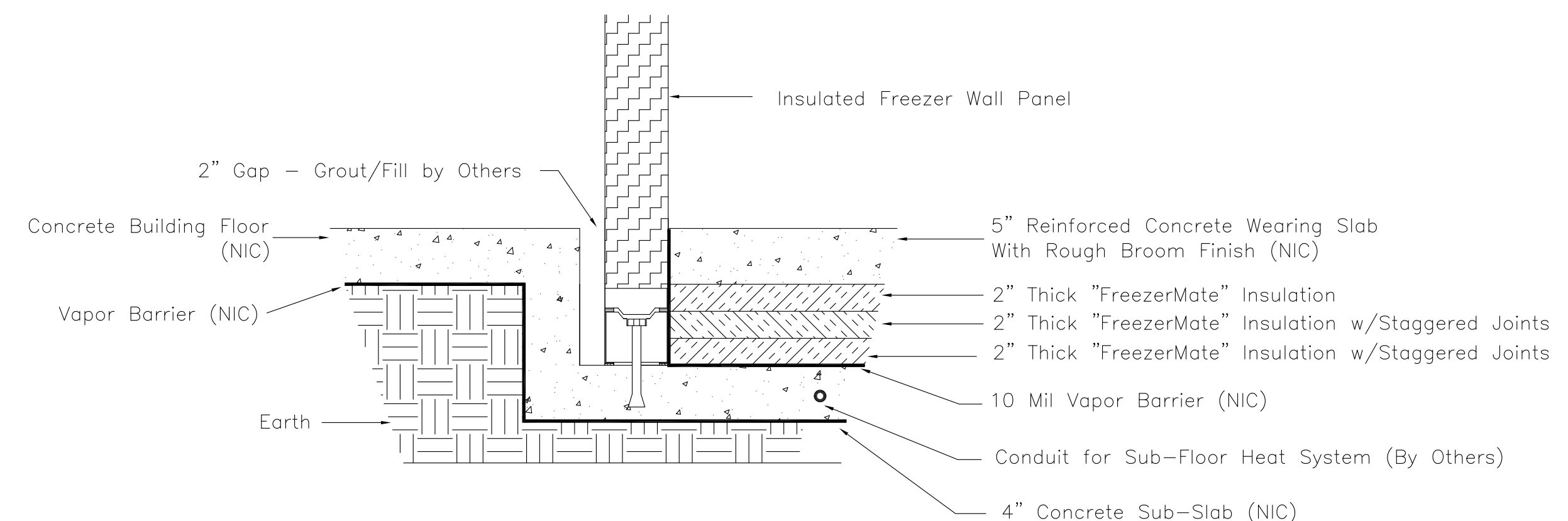
**COLD ROOM WALL PANEL to
FLOOR PANEL DETAIL**
No Scale



4\"/>

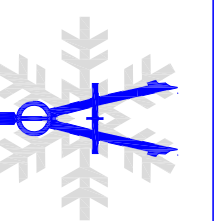


**TYPICAL WALL PANEL to
4\"/>**



**RECESSED FLOOR
DETAIL 2**
No Scale

COLD ROOM SOLUTIONS
4695 Chabot Dr., Ste. 200, Pleasanton, CA 94588
(925) 462-2500 www.coldroomsolutions.com



TYPICAL DETAILS

SCALE: 1/4" = 1'-0"

Drawn Date: 05/10/19 Draw No.: